

## 觸動器種類豐富之基本型微動開關

- 微動開關之基本型
- 斷路容量15A,且具高精度

- 觸動器種類多可依需求選擇
- 操作速度範圍廣

**Best Microload Switch w/Wide Variety of Actuator Models.**

- Various basic models for Microload Switch.
- A wide variety of actuator for selection.
- Electric shock protection class.
- A large switching capacity of 15A with high repeat accuracy.
- A wide range of operating speed is available.

## ■性能 Characteristics

保護結構 Degree of protection		IP00
壽命 Durability	機械性 Mechanical	20,000,000 operations min.
	電器性 Electrical	500,000 operations min.
容許操作速度 Operating Speed		0.01mm-1m/s
容許操作頻率 Operating Frequency	機械性 Mechanical	240 operations /min.
	電器性 Electrical	20 operations /min.
額定頻率 Rated Frequency		50/60Hz
絕緣阻抗(絕緣電阻) Insulation Resistance		100M $\Omega$ min. (at 500 VDC)
接觸阻抗(接點電阻) Contact Resistance		15m $\Omega$ max. (initial value)
耐電壓 Dielectric Strength	同極端子間 Between terminals of same polarity	AC1,000V 50/60Hz 1min
	充電金屬部與接地端間 Between current-carrying metal parts and ground	AC2,000V 50/60Hz 1min
	各端子與非充電金屬部間 Between each terminal and non-current-carrying metal part	AC2,000V 50/60Hz 1min
額定絕緣電壓 (Ui) Rated insulation voltage (Ui)		250VAC
污染度 (使用環境) Pollution degree (Application environment)		3 (EN60947-5-1)
額定開放熱電流(I <sub>th</sub> ) Rated open thermal current(I <sub>th</sub> )		15A
觸電保護等級 Degree of protection against electric shock		Class I
振動 Vibration Resistance	誤動作 Malfunction	10-55 Hz double amplitude (雙振幅) 1.5 mm
	耐久 Destruction	1,000m/s <sup>2</sup> max. (最大)
衝擊 Shock Resistance	誤動作 Malfunction	300m/s <sup>2</sup> max. (最大)
	耐久 Destruction	1,000m/s <sup>2</sup> max. (最大)
使用環境溫度 Ambient operating temperature range		-25~+80°C with no icing (不結冰)
使用環境濕度 Ambient operating humidity range		35~85%RH
包裝說明 Packing		10pcs /Box

★備註 1.以上為初始值 2.上述性能內容將因機種型式而有所不同,請另行洽詢 3.上述壽命值是為周圍溫度5-35度C・周圍濕度40-70%RH時之條件。如您需要其它詳細條件,請另行洽詢。

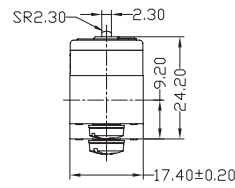
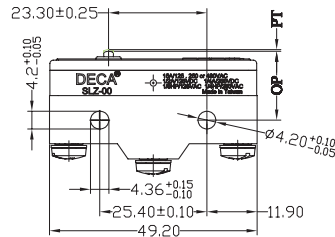
★Note: 1. Above values of these characteristics are initial values. 2. Above values of these characteristics may be depending on different models. If any requirements, pls contact our DECA sales representative. 3. Above durability is for an ambient temperature of 5 to 35°C and ambient humidity of 40% to 70%. If any requirements, pls contact our DECA sales representative.

## SLZ-00

- 標準柱塞按鈕型  
Standard Pin Plunger



重量 Weight: 28.60g



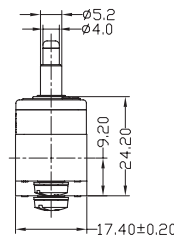
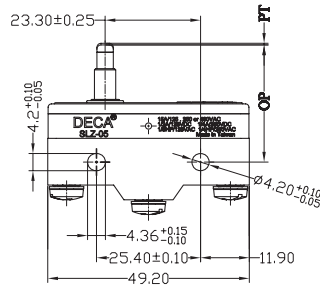
		SLZ-00
OF		2.45 ~ 3.43N
RF	MIN	1.12N
PT	MAX	0.4mm
OT	MIN	0.13mm
MD	MAX	0.05mm
OP		15.9 ± 0.4mm

## SLZ-05

- 彈簧細柱塞按鈕型  
Slim Spring Plunger



重量 Weight: 30.60g



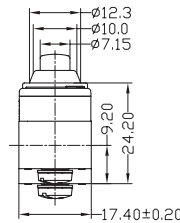
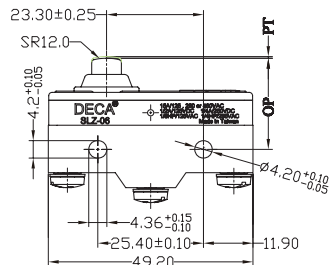
		SLZ-05
OF		2.45 ~ 3.43N
RF	MIN	1.12N
PT	MAX	0.4mm
OT	MIN	1.6mm
MD	MAX	0.05mm
OP		28.2 ± 0.5mm

## SLZ-06

- 彈簧短柱塞按鈕型  
Short Spring Plunger



重量 Weight: 31.10g



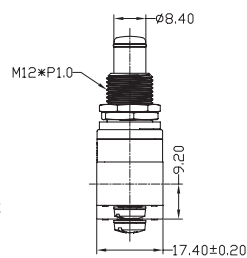
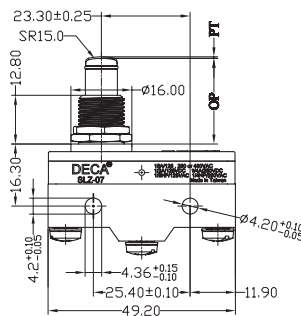
		SLZ-06
OF		2.45 ~ 3.43N
RF	MIN	1.12N
PT	MAX	0.4mm
OT	MIN	1.6mm
MD	MAX	0.05mm
OP		21.5 ± 0.5mm

## SLZ-07

- 面板安裝柱塞按鈕型  
Panel Mount Plunger



重量 Weight: 42.70g



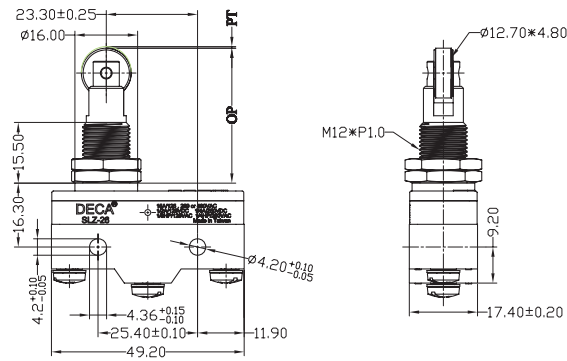
		SLZ-07
OF		2.45 ~ 3.43N
RF	MIN	1.12N
PT	MAX	0.4mm
OT	MIN	5.5mm
MD	MAX	0.05mm
OP		21.8 ± 0.8mm

### SLZ-26

- 面板安裝滾輪柱塞按鈕型  
Panel Mount Roller Plunger



重量 Weight: 54.00g



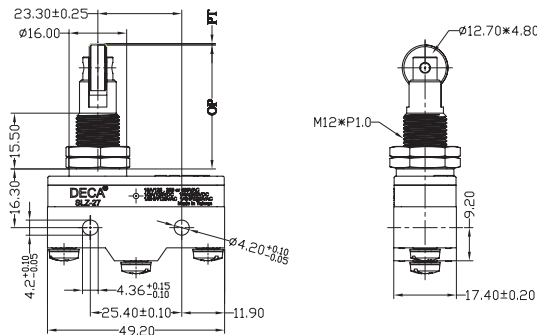
		SLZ-26
OF		2.45 ~ 3.43N
RF	MIN	1.12N
PT	MAX	0.4mm
OT	MIN	3.58mm
MD	MAX	0.05mm
OP		33.4 ± 1.2mm

### SLZ-27

- 面板安裝橫向滾輪柱塞按鈕型  
Panel Mount Cross Roller Plunger



重量 Weight: 54.10g



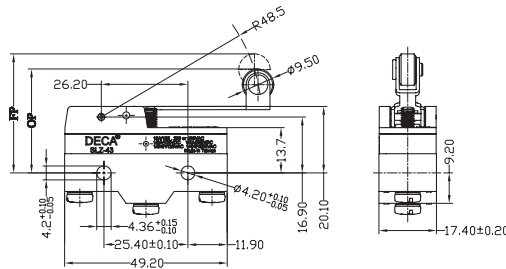
		SLZ-27
OF		2.45 ~ 3.43N
RF	MIN	1.12N
PT	MAX	0.4mm
OT	MIN	3.58mm
MD	MAX	0.05mm
OP		33.4 ± 1.2mm

### SLZ-43

- 臥式標準滾輪擺桿型  
Horizontal Standard Roller Leaf Spring



重量 Weight: 35.20g



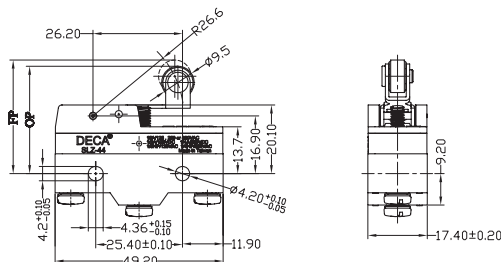
		SLZ-43
OF	MAX	2.35N
RF	MIN	0.55N
OT	MIN	4mm
MD	MAX	0.64mm
FP	MAX	35mm
OP		30.2 ± 0.8mm

### SLZ-44

- 滾輪短擺桿型  
Roller Short Hinge Lever



重量 Weight: 34.30g



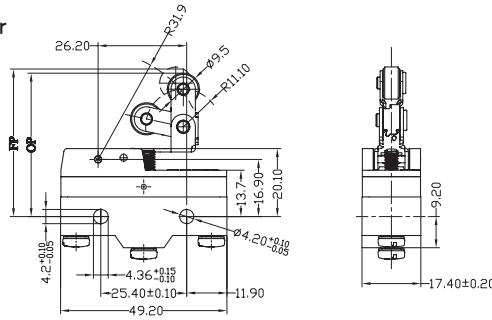
		SLZ-44
OF	MAX	1.57N
RF	MIN	0.41N
OT	MIN	2.4mm
MD	MAX	0.5mm
FP	MAX	32.5mm
OP		30.2 ± 0.4mm

### SLZ-48

- 單向動作滾輪短擺桿型  
Unidirectional Short Hinge Roller Lever



重量 Weight: 36.90g



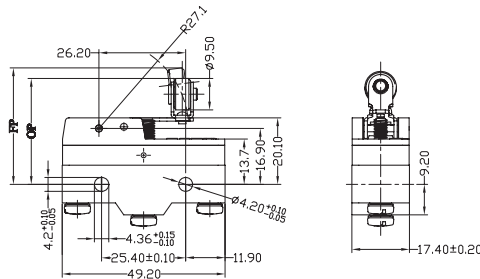
SLZ-48		
OF	MAX	1.67N
RF	MIN	0.41N
OT	MIN	2.4mm
MD	MAX	0.51mm
FP	MAX	43.6mm
OP		41.3±0.8mm

### SLZ-49

- 橫向滾輪擺桿型  
Hinge Cross Roller Lever



重量 Weight: 35.10g



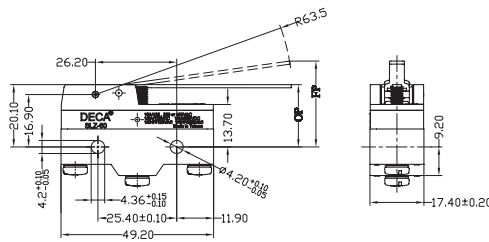
SLZ-49		
OF	MAX	1.67N
RF	MIN	0.41N
OT	MIN	2.4mm
MD	MAX	0.51mm
FP	MAX	33.3mm
OP		31±0.4mm

### SLZ-60

- 標準擺桿型  
Standard Hinge Lever



重量 Weight: 33.20g



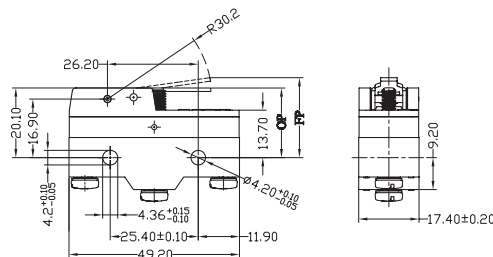
SLZ-60		
OF	MAX	0.69N
RF	MIN	0.14N
OT	MIN	5.6mm
MD	MAX	1.27mm
FP	MAX	28.2mm
OP		19±0.8mm

### SLZ-61

- 短擺桿型  
Short Hinge Lever



重量 Weight: 32.10g



SLZ-61		
OF	MAX	1.57N
RF	MIN	0.27N
OT	MIN	2mm
MD	MAX	1mm
FP	MAX	24.8mm
OP		19±0.8mm